



NEW!

PRODUCT INFORMATION

K Series

State-of-the-art toggle switches
for driver's desks of rail vehicles



Schaltbau toggle switches - desk components for the demanding use in traffic engineering.

The shape of the new toggle switches is simple and unmistakable. With four different handle styles they ensure high operating safety. Following UIC612 and technologically state-of-the-art, the K Series toggle switches are best suited for demanding applications.

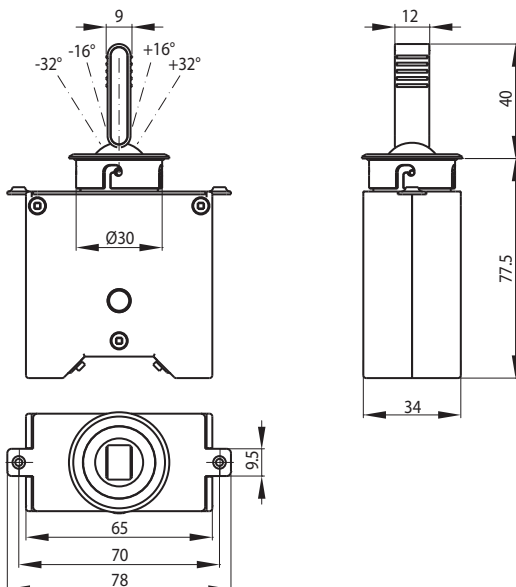
Features:

- **Handle styles:** Special, ball or T-handle, standard
- **Action:** 3 and 5 position, momentary and maintained operation, compatible to Schaltbau's P Series toggle switches
- **Central fixing:** Elegant switch mount with illuminated ring used as function indicator or for night design. Easy to mount.
- **Rugged and durable:** Solid and completely sealed plastic housing. Cage clamp terminals at the bottom of the switch with Deutsche Bahn approval.
- **Compact:** Mounting width according to UIC 612 (35 x 70 mm)

Application:

K Series toggle switches are typically used as components of driver's desks of rail vehicles but also for cranes and cable cars.

Dimension diagram



Dimensions in mm

Specifications

Switch positions *	3: -16° / 0° / +16° 5: -32° / -16° / 0° / +16° / +32°
Action *	momentary / maintained
Switching elements *	8 x snap-action switch S880 max.
Conventional thermal current I _{th}	6 A
Nominal voltage U _n	24 V or 110 V
Utilization category	DC-13, 24 V / 2.0 A
Pollution degree	PD3
Overtoltage category	OV2
Terminals	Cage clamp, screw-type, or plug-type
Degree of protection (IEC 60529)	IP54 above mounting plate IP40 below mounting plate
Mechanical endurance	> 500,000 operating cycles
Mounting	Central fixing for mounting hole Ø 30 mm
Dimensions (L x W x D)	(65 x 34 x 75) mm
Temperature	-40° C ... +85° C
Standards	UIC 612, EN50155, EN50124-1, EN60068-2-1, EN60068-2-2, EN60068-2-38, EN60529, EN61373, NF F16-101 / -102, DIN 55110-2

* Customized versions available on request