



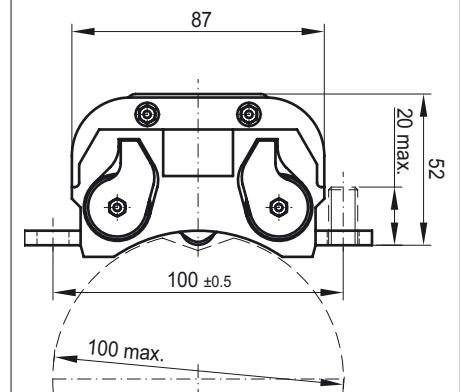
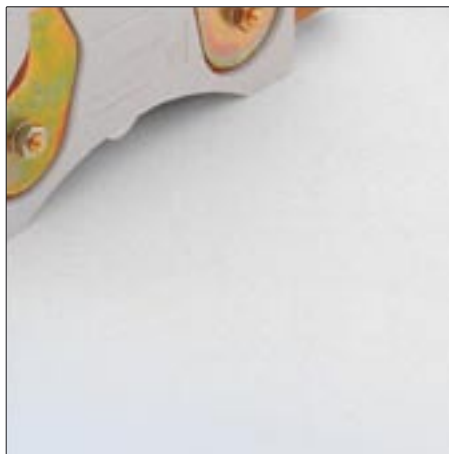
SCHALTBAU

Connect · Contact · Control



Krzysztof Ostrowski,
Kontakt:
tel.kom. +48 **664 344 658**
tel. 22 886 56 02 w.16,
ostrowski@impol-1.pl
www.impol-1.pl/

**Cam-operated
switching elements
for 500 A
S310 Series**



B41.en

Cam-operated switching elements for 500 A

Schaltbau Series S310 cam-operated switching elements are complementary to the well proven S306 and S307 ones. As with these series, versions are available with permanent magnetic blowout and without.

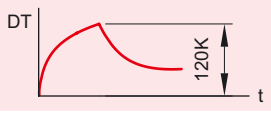
They are suitable for materials handling and rail vehicles, crane controls, bulk goods unloaders, and emergency power supplies.

Ordering code: Example **S310 C**

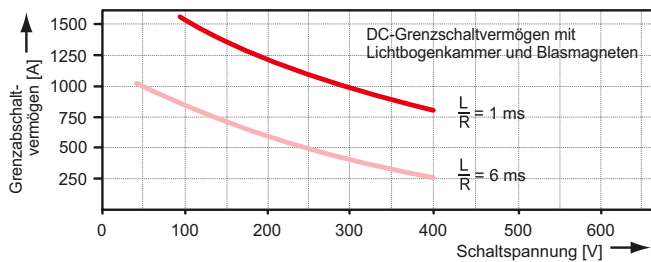
Series	S310	Cam-operated switching element
Version	A	500 A, without blowout, colour marking: green
	C	500 A, with blowout, colour marking: green

Arc chamber: Arc chambers the cam-operated switching elements can be fitted with must be ordered separately.

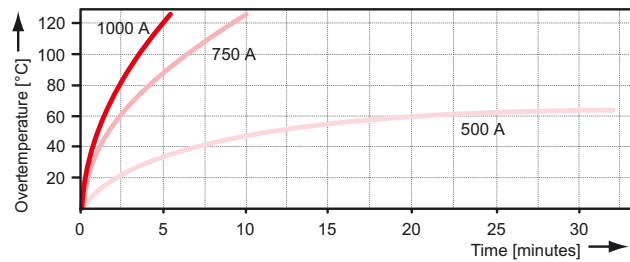
LK-S310 Arc chamber for cam-operated switching element S310

Specifications	
Conv. thermal current I_{th}	500 A *
Temporary duty	1 minute: 1,300 A * 5 minutes: 800 A *
	
Permissible inrush current	2,500 A
Mechanical endurance	2 million operating cycles min.
Insulation	EN60947-1, at pollution degree 3 With single mounting and normal contact gap 400 V
Dimensions (L x D x H)	62 x 65 x 120 mm
Weight	0.7 kg
Permissible total temperature	160 °C
*with wire gauge 2 x 70 mm ² (AWG 3/0)	

Maximum breaking capacity



Temperature rise

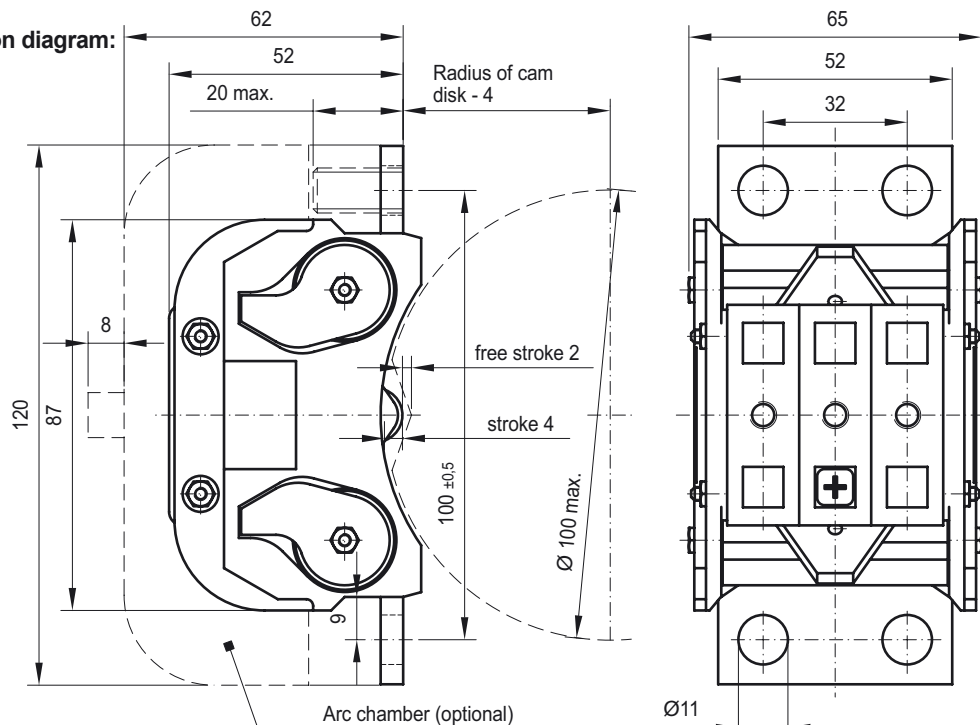


Circuit and dimension diagrams, Mounting instructions

Circuit diagram:



Dimension diagram:



Mounting instructions:

- Observe the right polarity when connecting the cables to a cam-operated switching element with magnetic blowout. Make sure that the positive wire is connected to the terminal marked "+".
- Cam-operated switching elements can be mounted by means of single terminal bolts. Refer to catalogue B100.en - Single Terminal Bolts, EKS127 Series.
- Cam-operated switching elements are often needed as spare parts for Schaltbau cam contactors. So if you need a spare part please also specify the contactor when you order the switching element.