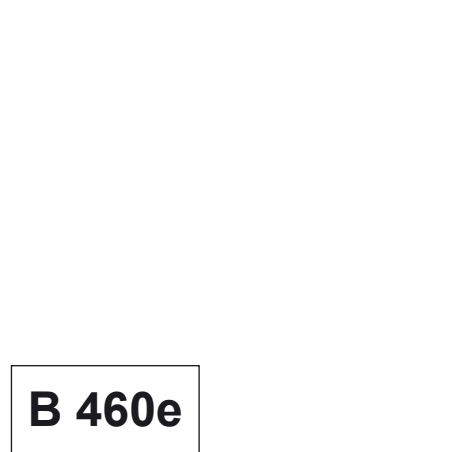
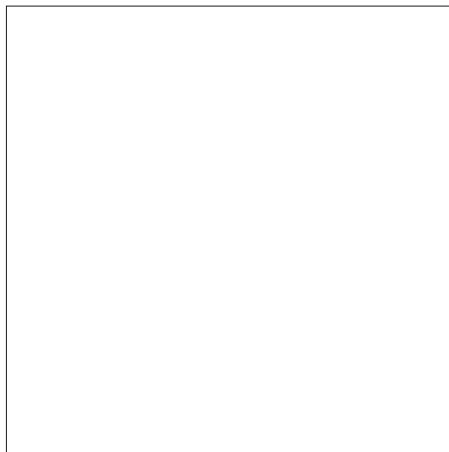
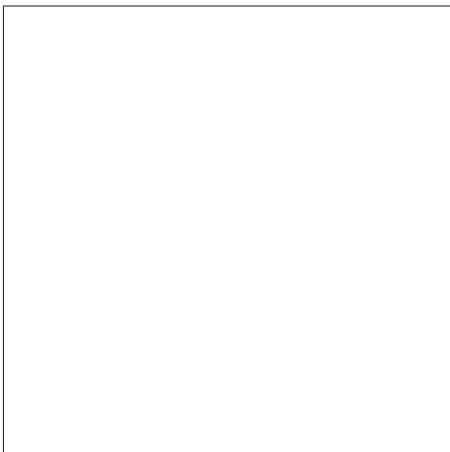
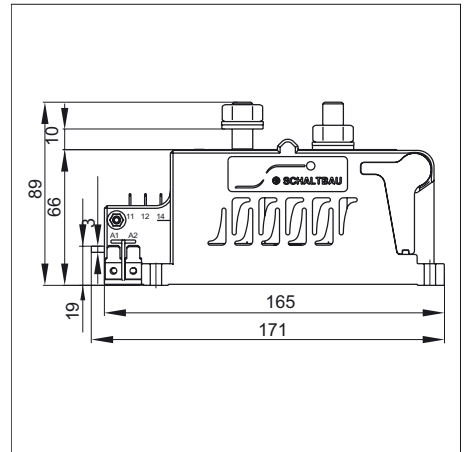
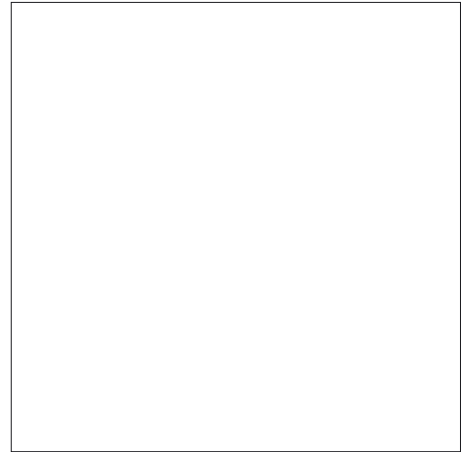


Kontakt:
Krzysztof Ostrowski,
tel.kom. +48 **664 344 658**
tel. 22 886 56 02 w.16,
ostrowski@impol-1.pl
www.impol-1.pl/

Single-pole DC NO contactors for UPS applications C400, C600 Series



B 460e

DC contactors for UPS applications C400, C600 Series

High-quality single-pole DC contactors of high current carrying capacity for uninterruptible use in battery-powered emergency power supply systems (UPS) and as deep discharge protection for batteries.

Features and applications:

- Single-pole NO contactor for 400 A DC and 600 A DC resp. used as main contactor in emergency installations (UPS) and as deep discharge protection for batteries.
- Compact design
- Easy to mount
- Cadmium-free
- Nominal coil power < 15 W
- Standard make with one auxiliary contact available



Contactor C400, C600 Series

Series	C400	C600
Conventional thermal current I_{th}	400 A DC	600 A DC
Rated insulation voltage U_i	125 V DC	125 V DC
Pollution degree	3	3
Maximum breaking capacity	96 V / 650 A / resistive (50 operating cycles, max.)	96 V / 1000 A / resistive (50 operating cycles, max.)
Maximum making capacity	400 A / 96 V / resistive	600 A / 96 V / resistive
Coil voltage	24 / 48 / 60 / other voltages on request	
Coil suppression	Varistor	
Coil tolerance	+25% / -12.5%	
Auxiliary contact	1 NO + NC S870*, 10 A max. / 230 V max.	
Endurance		
● electrical	150 operating cycles at 60 V / 400 A / resistive	150 operating cycles at 60 V / 600 A / resistive
● mechanical	> 10.000 operating cycles	> 10.000 operating cycles
Mounting position	any, except: Do not mount upside-down	
Terminal	Main contact Auxiliary contact Coil	Bolt M10 (maximum tightening torque 10 Nm) Flat quick-connect 6.3x0.8 mm (DIN 46244) Flat quick-connect 6.3x0.8 mm (DIN 46244)
Protection degree (IEC 60529)	IP10, terminals IP00	
Temperature range	-40°C ... +60°C	
Dimensions (L x W x H)	171 x 45 x 89 mm	
Weight	1.1 kg	1.2 kg

* Refer to catalogue D70e

SCHALTBAU

Ordering code

C400 L0/P1- 48FV-E1

Series	C400, C600
Variant	L0 monostable
Polarity	P1 +pole on side of coil terminal
Coil voltage	24 / 48 / 60 V DC
Coil tolerance	F +25%/-12.5%
Coil suppression	V Varistor
Aux. contact, type	E S870 W1D1 a (silver, standard) F S870 W1D4 a 076 (gold)
Aux. contact, # of	1 one auxiliary contact (standard)

Preferred types:

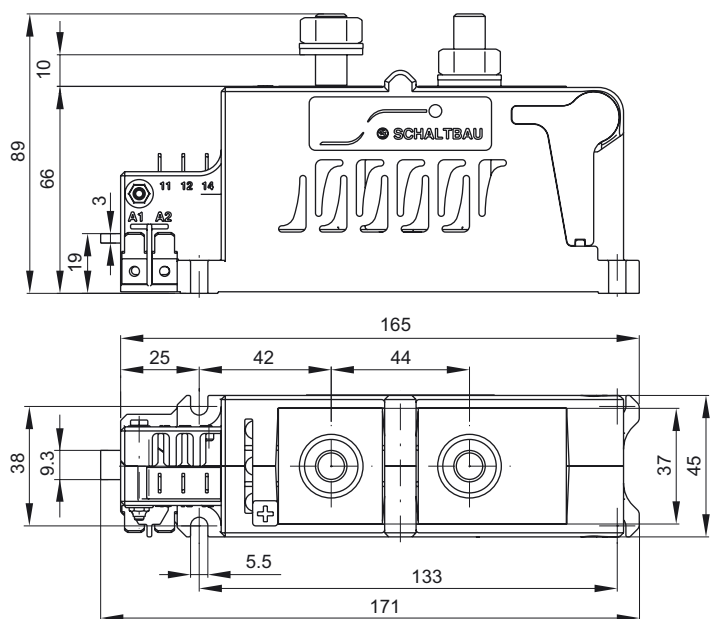
C400 Series	C600 Series
C400 L0/P1- 24FV-F1	C600 L0/P1- 24FV-F1
C400 L0/P1- 48FV-E1	C600 L0/P1- 24FV-E1
C400 L0/P1- 48FV-F1	C600 L0/P1- 48FV-F1
C400 L0/P1- 48FV-E1	C600 L0/P1- 48FV-E1
	C600 L0/P1- 60FV-F1

Special designs

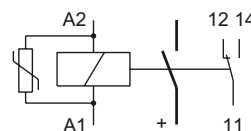
If you need a special design do not hesitate to contact us. You might find your required contactor among our **special designs**. If not, we also supply designs to **customer requirements**. Please note that in this case minimum order quantities apply.

Device outline, Circuit diagram

Device outline:



Circuit diagram:



Dimensions in mm