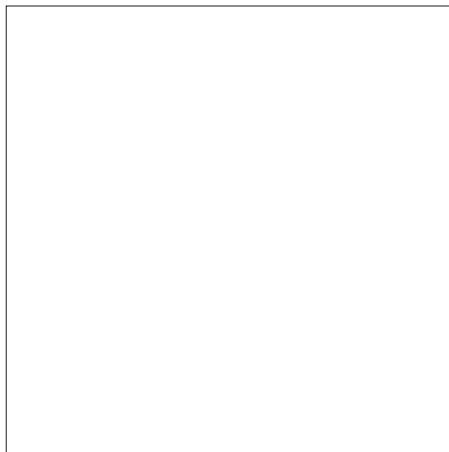
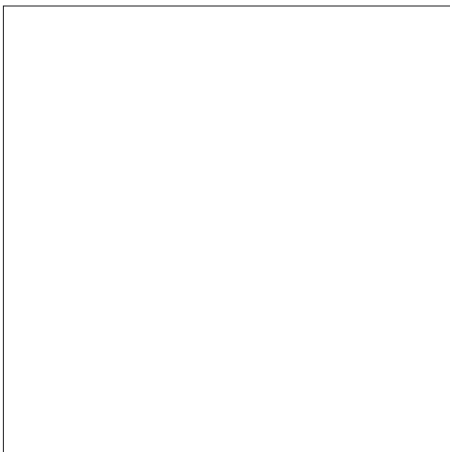
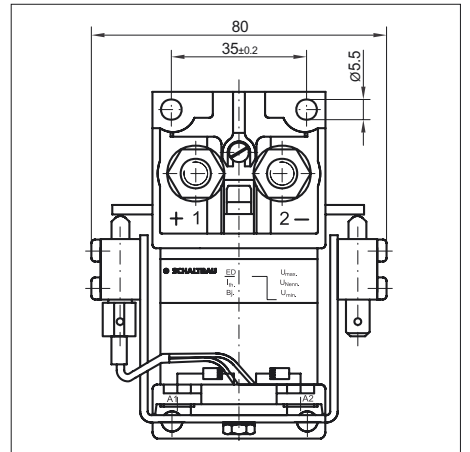
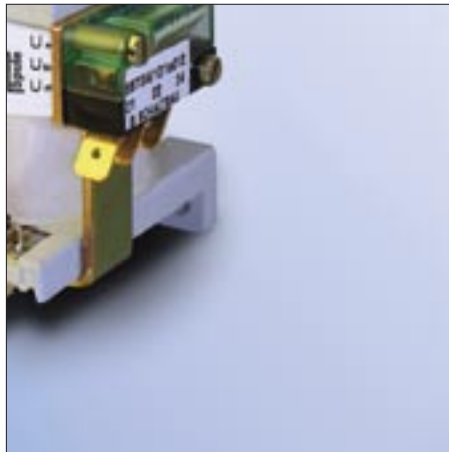
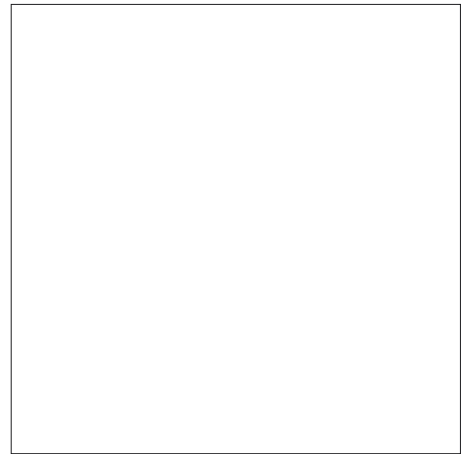


**Bistable single-pole
NO contactor
C163C/xxBD-J1 Series**



B 164 e

Bistable single-pole NO contactor C163 C/ xxBD-J1

Based on the success and high profile of our C163 Series, a new energy-saving drive concept has been realised with this bistable NO contactor.

Specific characteristics:

- No coil power in open and closed position
- Conventional thermal current I_{th} up to 100 A DC
- Special designs up to 150 V DC
- Various rated actuating voltages available

Applications:

- Deep discharge protection of batteries in uninterruptible power supplies (UPS)
- Main contactor in photovoltaic systems



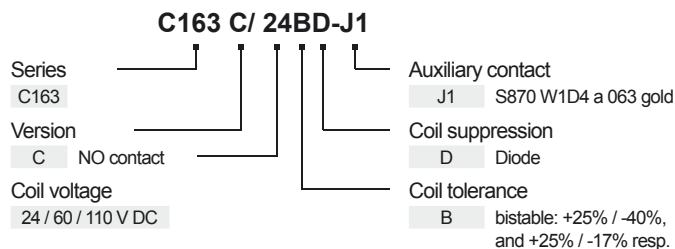
Bistable single-pole NO contactor C163 C/ 24BD-J1

Technical data

Rated insulation voltage U_i	630 V DC
Pollution degree	3
Applicable standards	IEC 60077-1; EN 50124; IEC 60947-1
Conventional thermal current I_{th} at 70°C ambient temperature	80 A, wire gauge AWG 5 100 A, wire gauge AWG 3
Maximum breaking capacity	120 V DC, L/R = 1 ms: 150 A 48 V DC, L/R = 1 ms: 800 A
Rated actuating voltage U_C	24 / 60 / 110 V DC, others on request
Coil voltage tolerance	+25% / -40% of U_C
Coil power	none
Open and closed position	none
During switching, duration	approx. 95 W for 50 ms
Coil suppression	Diode
Coil terminal	Flat tab 6.3x0.8 DIN46244
Main contact terminal	M8, max. tightening torque 7 Nm
Contact material	AgCdO
Mechanical endurance	approx. 100,000 operating cycles
Auxiliary contact	1 NO + NC S870*, I_{th} =10 A
Mounting position	any, except: don't mount upside-down
Weight	0.8 kg
Ambient temperature range	-25°C ... +70°C
Storage temperature range	-40°C ... +85°C

*see also catalogue D70e

Ordering code



Preferred types:

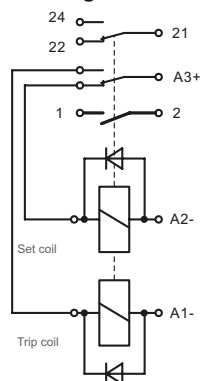
C163 C/ 24BD-J1
C163 C/ 60BD-J1
C163 C/ 110BD-J1

Special designs

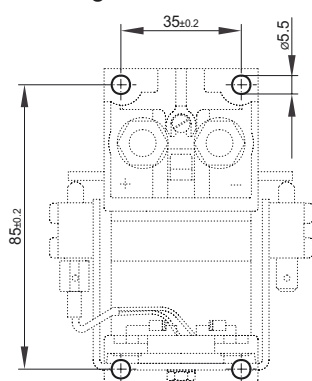
If you need a special design, do not hesitate to contact us. You might find your required contactor among our **special designs**. If not, we also supply designs **to customer requirements**. Please note that in this case minimum order quantities apply.

Circuit diagram, Mounting holes

Circuit diagram:

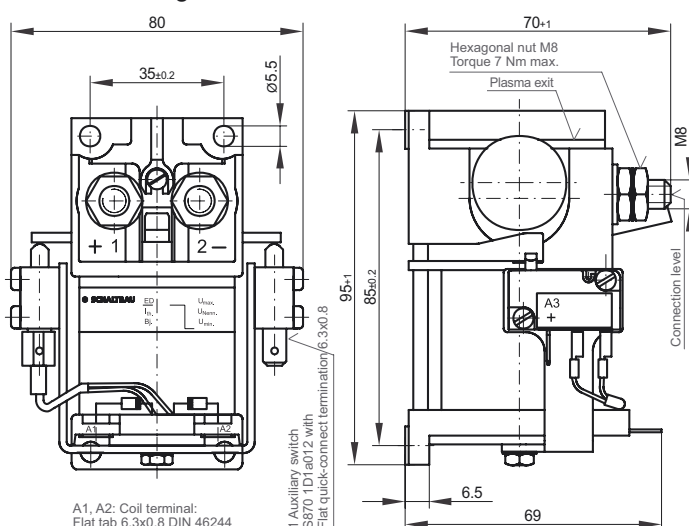


Mounting holes:



Dimension diagram

Dimension diagram:



Note: Contact making and breaking is done by energizing the respective coil at terminal A1 or A2. After approx. 100 msec the contactor is switched off automatically. It is permissible to impress the rated actuating voltage permanently. Rated actuating voltages $< U_{min}$ are not permissible and will cause damage.