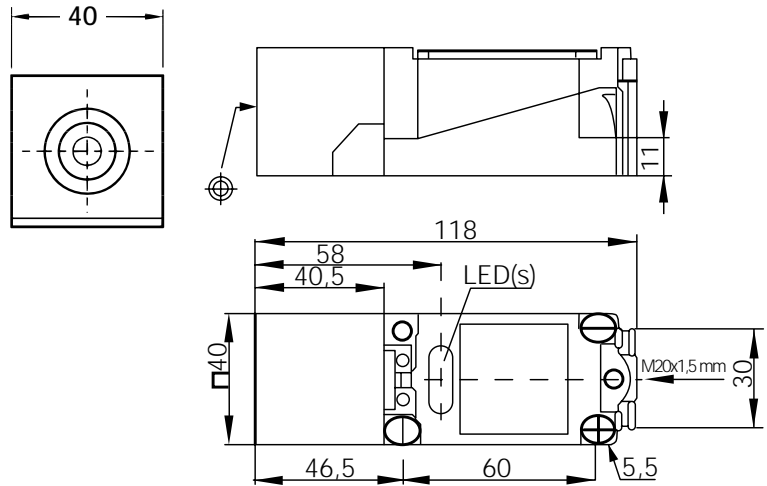


IQ 40

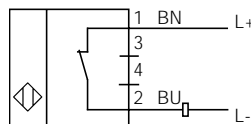
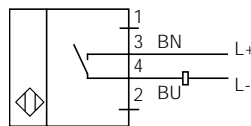


Features



- ▶ Installed flush in metal
- ▶ Variable switching zone
- ▶ Broad operating voltage range in DC
- ▶ Switching output: NO/NC
- ▶ Plastic housing
- ▶ Enclosure rating IP 68
- ▶ Terminal connection
- ▶ LED status indicator, yellow

Connection diagram



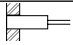
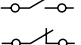
Terminal	Assignment
1	L+
2	L-

Terminal	Assignment
3	L+
4	L-

Electrical and mechanical data

Operating voltage U_b	5–60 V DC	Short-circuit protection (pulsed)	yes
Voltage drop U_d (at I_a max. and U_b 60 V)	≤ 5 V	Reverse polarity protection	yes
Continuous current I_a	≤ 200 mA	Power-up pulse suppression	yes
Residual current	≤ 1 mA	Enclosure rating to EN 60529	IP 68
EMC	to EN 60 947-5-2	Protection class	□
		Shock and vibration stress	30 g, 11 ms 10 to 55 Hz, 1 mm
		Ambient temperature T_a	– 25 ... + 70 °C
		Housing material	Plastic, PBT

Selection table

Sensing range s_n mm	Installation in metal	Switching output	Output function	Switching frequency f in Hz	Connection	Type	Order number
15		PNP		400	Terminal up to 2.5 mm ²	IQ 40-15BDP-KK1	6 025 817

SICK

Great Britain
Erwin Sick Ltd.
Waldkirch House
39 Hedley Road, St. Albans
Hertfordshire AL 1 5BN
Phone +44 17 27-83 11 21
Fax +44 17 27-85 67 67
info@sick.co.uk

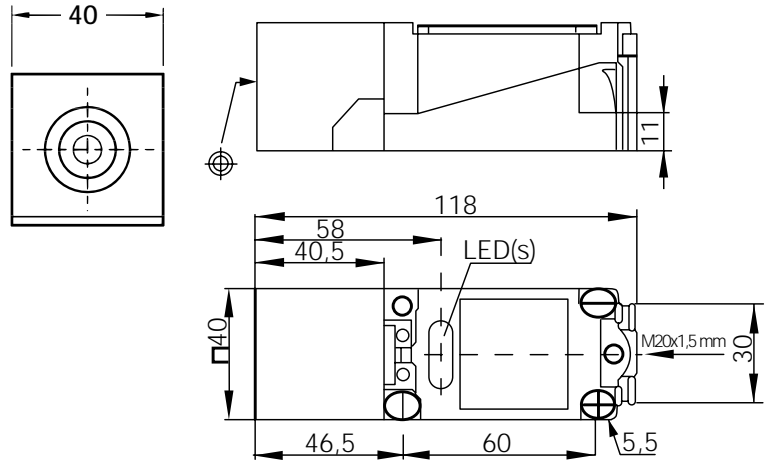
USA
SICK, Inc.
6900 West 110th Street
Bloomington, MN 55438
Phone +1 (952) 9 41-67 80
Fax +1 (952) 9 41-92 87
WATS: 1-800-325-7425
info@sickusa.com

Australia
Erwin Sick Optic-Electronic
Pty. Ltd. Head Office, P.O. Box 214
899 Heidelberg Road
Ivanhoe, Vic. 3079, Australia
Phone +61 39 49 74 10 0
(0 08) 33 48 02 - toll free
Fax +61 39 49 71 18 7
sales@sick.com.au

Inductive proximity sensors IQ 40 series, sensing range 15/20 mm DC 4-wire, plastic housing

Dimensions in mm

IQ 40

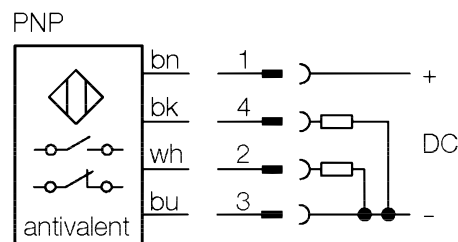


Features




- ▶ Can be installed flush or non-flush in metal
- ▶ Variable switching zone
- ▶ PNP output
- ▶ NO and NC function
- ▶ Short-circuit protection (pulsed)
- ▶ Plastic housing
- ▶ Terminal
- ▶ Enclosure rating IP 68
- ▶ Switching status
LED, yellow
- ▶ Operating voltage status
LED, green

Connection diagram

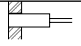
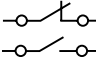
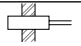
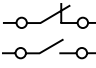


Terminal	Assignment
1	+ V DC
2	NC
3	- V DC
4	NO

Electrical and mechanical data

Operating voltage U_b	10 ... 60 V DC	Short-circuit protection (pulsed)	yes
Voltage drop U_d (at I_a max. and U_b 60 V)	≤ 2.8 V	Reverse polarity protection	yes
Power consumption (without load)	≤ 10 mA	Power-up pulse suppression	yes
Continuous current I_a	≤ 200 mA	Enclosure rating to EN 60529	IP 68
EMC	to EN 60 947-5-2	Protection class	
		Shock and vibration stress	30 g, 11 ms 10 to 55 Hz, 1 mm
		Ambient temperature T_a	- 25 ... + 70 °C
		Housing material	Plastic, PBT

Selection table

Sensing range s_n mm	Installation in metal	Switching output	Output function	Switching frequency f in Hz	Connection	Type	Order number
15		PNP		150	Terminal up to 2.5 mm ²	IQ 40-15BPP-KK1	6 025 814
20		PNP		150	Terminal up to 2.5 mm ²	IQ 40-15NPP-KK1	6 025 815

SICK

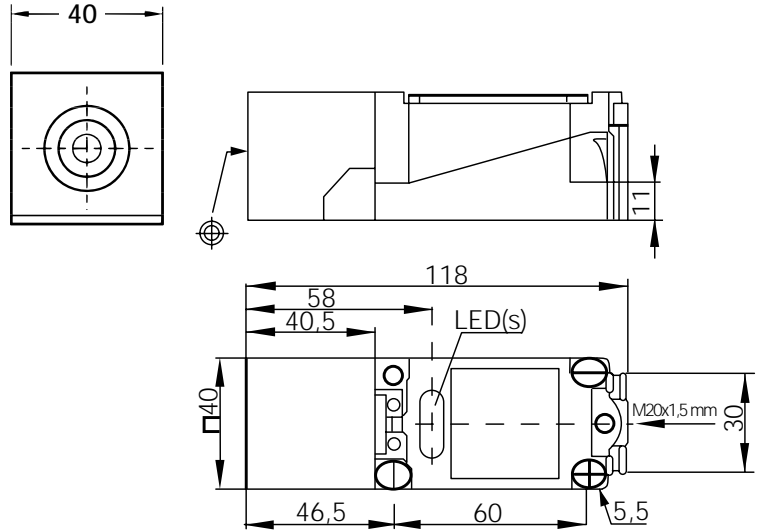
Great Britain
Erwin Sick Ltd.
Waldkirch House
39 Hedley Road, St. Albans
Hertfordshire AL 1 5BN
Phone +44 17 27-83 11 21
Fax +44 17 27-85 67 67
info@sick.co.uk

USA
SICK, Inc.
6900 West 110th Street
Bloomington, MN 55438
Phone +1 (952) 9 41-67 80
Fax +1 (952) 9 41-92 87
WATS: 1-800-325-7425
info@sickusa.com

Australia
Erwin Sick Optic-Electronic
Pty. Ltd. Head Office, P.O. Box 214
899 Heidelberg Road
Ivanhoe, Vic. 3079, Australia
Phone +61 39 49 74 10 0
(0 08) 33 48 02 - toll free
Fax +61 39 49 71 18 7
sales@sick.com.au

IQ 40

Dimensions in mm

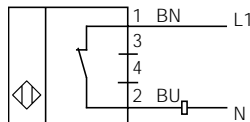
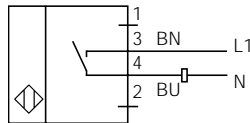


Features



- ▶ Installed flush in metal
- ▶ Variable switching zone
- ▶ Broad operating voltage range in AC
- ▶ Switching output: NO/NC
- ▶ Plastic housing
- ▶ Enclosure rating IP 68
- ▶ Terminal connection
- ▶ LED status indicator


Connection diagram



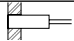
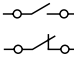
Terminal	Assignment
1	L1
2	N

Terminal	Assignment
3	L1
4	N

Electrical and mechanical data

Operating voltage U_b	20–253 V AC	Short-circuit protection (pulsed)	yes
Voltage drop U_d	≤ 12 V	Reverse polarity protection	yes
Continuous current I_a	≤ 500 mA	Power-up pulse suppression	yes
Residual current I_r	≤ 1.95 mA	Enclosure rating to EN 60529	IP 68
Peak current (20 ms, 0.1 Hz)	3 A	Protection class	
EMC	to EN 60 947-5-2	Shock and vibration stress	30 g, 11 ms 10 to 55 Hz, 1 mm
		Ambient temperature T_a	– 25 ... + 70 °C
		Housing material	Plastic, PBT

Selection table

Sensing range s_n mm	Installation in metal	Switching output	Output function	Switching frequency f in Hz	Connection	Type	Order number
15		PNP		20	Terminal up to 2.5 mm ²	IQ 40-15BAP-KK1	6 025 816



Great Britain
Erwin Sick Ltd.
Waldkirch House
39 Hedley Road, St. Albans
Hertfordshire AL 1 5BN
Phone +44 17 27-83 11 21
Fax +44 17 27-85 67 67
info@sick.co.uk

USA
SICK, Inc.
6900 West 110th Street
Bloomington, MN 55438
Phone +1 (952) 9 41-67 80
Fax +1 (952) 9 41-92 87
WATS: 1-800-325-7425
info@sickusa.com

Australia
Erwin Sick Optic-Electronic
Pty. Ltd. Head Office, P.O. Box 214
899 Heidelberg Road
Ivanhoe, Vic. 3079, Australia
Phone +61 39 49 74 10 0
(0 08) 33 48 02 - toll free
Fax +61 39 49 71 18 7
sales@sick.com.au