

Inductive proximity sensors IM 08

Sensing range 3/6 mm
DC 3-wire, metal housing



Triplex series

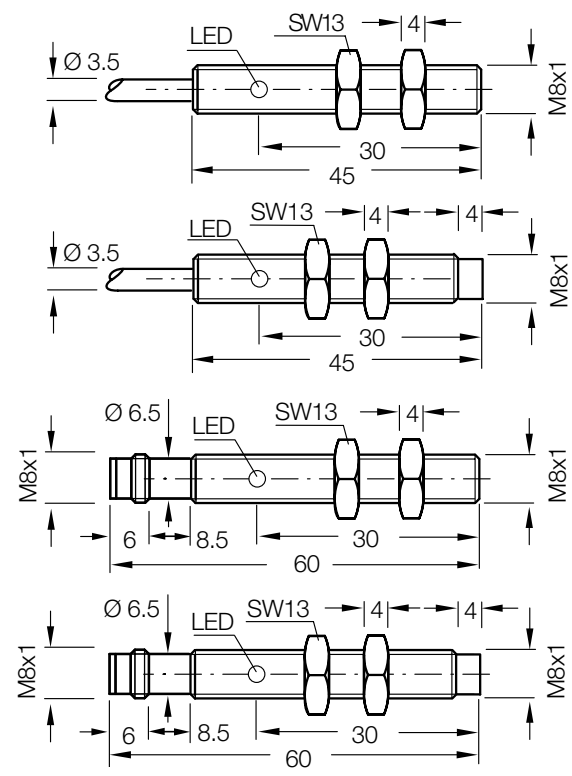
Features



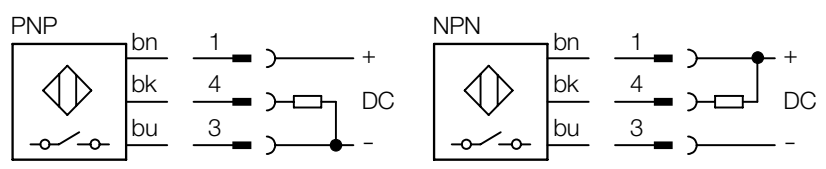
- Triple sensing range
- Installation quasi flush or non-flush in metal
- PNP or NPN output
- Normally open function
- High switching frequency
- Short-circuit protection (pulsed)
- Robust brass housing, chrome-plated with fine thread M8 x 1 mm
- Cable or connector
- Enclosure rating IP 67
- LED status indicator

Accessories

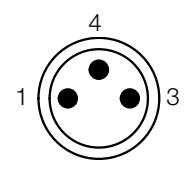
Round connector



Connection diagram




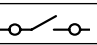
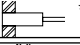
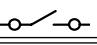

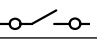

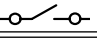

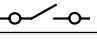
Wire colour	Wire colour	Contact	Assignment
bn	brown	1	+ V DC
bk	black	4	NO
bu	blue	3	- V DC



Electrical and mechanical data

Operating voltage U_b	10 ... 30 V DC	Short-circuit protection (pulsed)	yes
Ripple U_{ss}	$\leq 20\%$ von U_b	Reverse polarity protection	yes
Voltage drop U_d (at I_a max)	≤ 2 V	Power-up pulse suppression	yes
Power consumption (without load)	≤ 10 mA	Enclosure rating to EN 60529	IP 67
Continuous current I_a	≤ 200 mA	Shock and vibration stress	30 g, 11 ms 10 ... 55 Hz, 1 mm
Time delay before availability t_v	≤ 100 ms	Ambient temperature T_a	- 25 ... + 70 °C
Hysteresis H	1 % ... 15 % of s_r (5 % typ.)	Housing material	Brass, chrome-plated, plastic
Repeatability R (U_b and T_a constant)	$\leq 5\%$ of s_r	Tightening torque	4 Nm
Temperature drift	$\pm 10\%$ of s_r	Connection cable	PVC, 3 x 0.14 mm ²
EMC	to EN 60 947-5-2		

Selection table

Sensing range s_n mm	Installation in metal	Switching output	Output function	Switching frequency f in Hz	Connection	Type	Order Number
3	 *	PNP		1000	Cable 2 m	IM08-03BPS-ZW1	6027505
3	 *	PNP		1000	Connector M8 x 1 mm	IM08-03BPS-ZT1	6025574
6		PNP		500	Cable 2 m	IM08-06NPS-ZW1	6027506
6		NPN		500	Cable 2 m	IM08-06NNS-ZW1	6027507
6		PNP		500	Connector M8 x 1 mm	IM08-06NPS-ZT1	6027508

* Installation notes „quasi flush“

When mounting in conductive materials the sensors have to be installed with a distance A to the surface.

A Steel, metal = 1 mm / **A** Stainless steel = 0 mm

Other output functions available on request

SICK

Great Britain

Erwin Sick Ltd.
Waldkirch House
39 Hedley Road, St. Albans
Hertfordshire AL 1 5BN
☎ +44 17 27-83 11 21
Fax: +44 17 27-85 67 67
info@sick.co.uk

USA

SICK, Inc.
6900 West 110th Street
Bloomington, MN 55438
☎ +1 (952) 9 41-67 80
Fax: +1 (952) 9 41-92 87
WATS: 1-800-325-7425
info@sickusa.com

Australia

Sick Pty. Ltd. Head Office
P.O. Box 214
899 Heidelberg Road
Ivanhoe, Vic. 3079, Australia
☎ +61 39 49 74 10 0
(0 08) 33 48 02 - toll free
Fax: +61 39 49 71 18 7
sales@sick.com.au