

Dimensions in mm

IM 08

Advanced short series

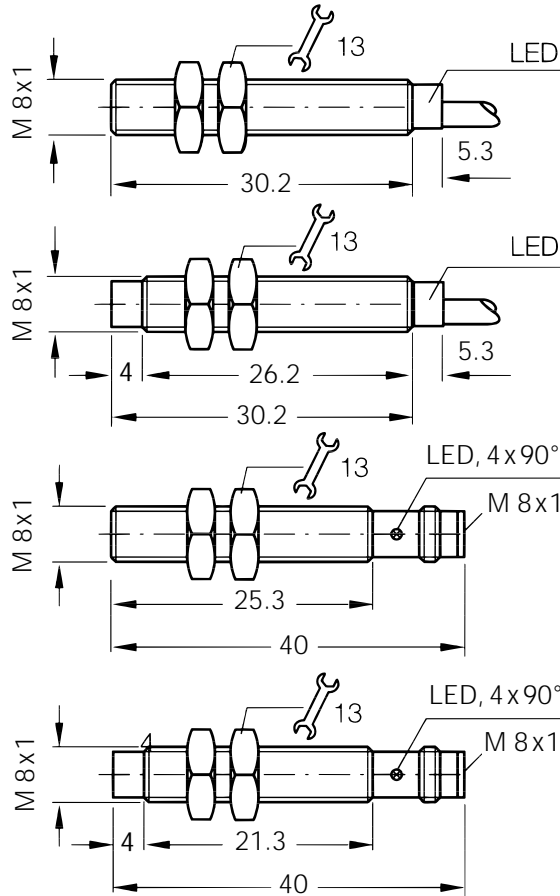
Features



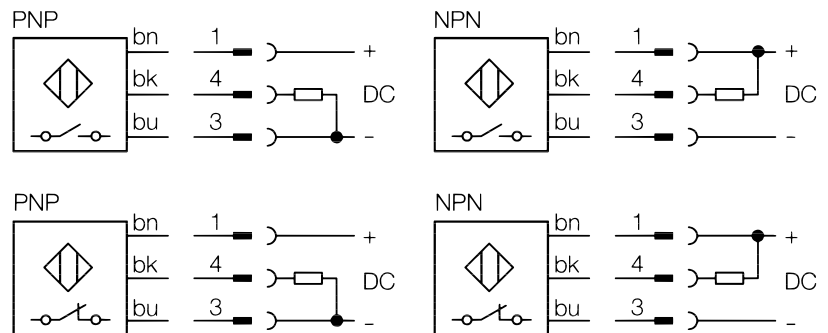
- ▶ Enhanced sensing range
- ▶ Can be installed flush or non-flush in metal
- ▶ PNP or NPN output
- ▶ Normally open/ normally closed function
- ▶ High switching frequency
- ▶ Short-circuit protection (pulsed)
- ▶ Robust brass housing, nickel-plated with fine thread M 8 x 1 mm
- ▶ Cable or connector
- ▶ Enclosure rating IP 67
- ▶ LED status indicator

Accessories

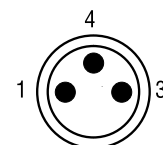
- ▶ Round connectors



Connection diagram



Wire colour	Contact	Assignment
bn brown	1	+ V DC
bk black	4	NC/NO
bu blue	3	- V DC



Electrical and mechanical data

Operating voltage U_b	10 ... 30 V DC	Short-circuit protection (pulsed)	yes
Ripple U_{pp}	$\leq 10\%$ of U_b	Reverse polarity protection	yes
Voltage drop U_d (at I_a max.)	≤ 1.2 V	Power-up pulse suppression	yes
Power consumption (without load)	≤ 10 mA	Enclosure rating to EN 60529	IP 67
Continuous current I_a	≤ 200 mA	Shock and vibration stress	30 g, 11 ms 10 to 55 Hz, 1 mm
Time delay before availability t_v	≤ 5 ms	Ambient temperature T_a	- 25 ... + 70 °C
Hysteresis H	1% - 20% of s_r	Housing material	Brass, nickel-plated, plastic
Repeatability R (U_b and T_a constant)	$\leq 5\%$ of s_r	Tightening torque	4 Nm
Temperature drift	$\pm 10\%$ of s_r	Connection cable	PVC, 3 x 0.14 mm ²
EMC	to EN 60 947-5-2		

Selection table

Sensing range s_n mm	Installation in metal	Switching output	Output function	Switching frequency f in Hz	Connection	Type	Order number
2		PNP		3000	Cable 2 m	IM 08-02BPS-ZWK	6 025 861
2		NPN		3000	Cable 2 m	IM 08-02BNS-ZWK	6 025 862
2		PNP		3000	Connector M 8 x 1 mm	IM 08-02BPS-ZTK	6 025 863
2		NPN		3000	Connector M 8 x 1 mm	IM 08-02BNS-ZTK	6 025 864
2		PNP		3000	Connector M 8 x 1 mm	IM 08-02BPO-ZTK	6 025 865
2		NPN		3000	Connector M 8 x 1 mm	IM 08-02BNO-ZTK	6 025 866
4		PNP		2500	Cable 2 m	IM 08-04NPS-ZWK	6 025 867
4		NPN		2500	Cable 2 m	IM 08-04NNS-ZWK	6 025 868
4		PNP		2500	Connector M 8 x 1 mm	IM 08-04NPS-ZTK	6 025 869
4		NPN		2500	Connector M 8 x 1 mm	IM 08-04NNS-ZTK	6 025 870
4		PNP		2500	Connector M 8 x 1 mm	IM 08-04NPO-ZTK	6 025 871
4		NPN		2500	Connector M 8 x 1 mm	IM 08-04NNO-ZTK	6 025 872

SICK

Great Britain
Erwin Sick Ltd.
Waldkirch House
39 Hedley Road, St. Albans
Hertfordshire AL 1 5BN
Phone +44 17 27-83 11 21
Fax +44 17 27-85 67 67
info@sick.co.uk

USA
SICK, Inc.
6900 West 110th Street
Bloomington, MN 55438
Phone +1 (952) 9 41-67 80
Fax +1 (952) 9 41-92 87
WATS: 1-800-325-7425
info@sickusa.com

Australia
Erwin Sick Optic-Electronic
Pty. Ltd. Head Office, P.O. Box 214
899 Heidelberg Road
Ivanhoe, Vic. 3079, Australia
Phone +61 39 49 74 10 0
(0 08) 33 48 02 - toll free
Fax +61 39 49 71 18 7
sales@sick.com.au