

PRODUCT INFORMATION

# NF04 BLO

## 4-pole Miniature Battery Connector



With its rugged design our new NF04 BLO Series connector is particularly suitable for use in battery-powered equipment. Connector NF04 BLO is intended for mounting within the piece of equipment, e. g. in its battery case.

When inserting the battery pack the connector gets engaged by means of the battery terminals. Equipped with spring contacts the connector features a steady low contact resistance.

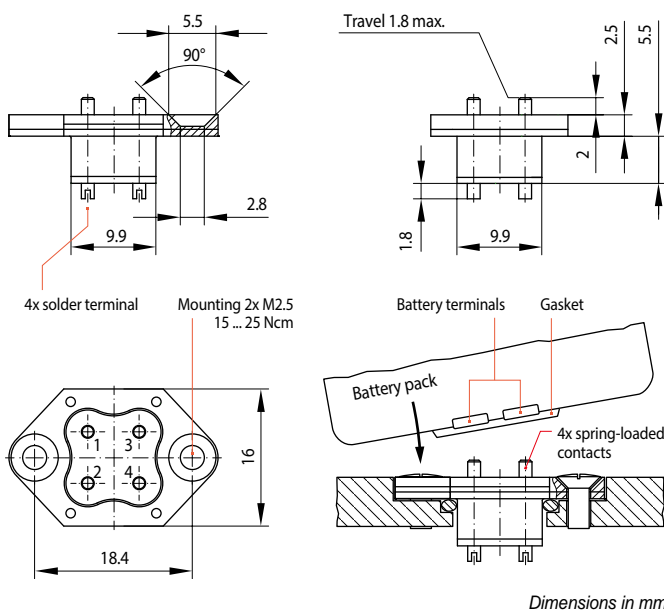
**Features:**

- Spring-loaded contacts: hard gold plated with selfcleaning faces. High shock and vibration resistance and a very low contact resistance allow high reliability even at low voltages and currents
- Sealed to IP67: dust tight and protected against the effects of immersion
- High vibration and shock resistance

**Applications:**

- Telecommunications: military, measurement and communications engineering, e.g. Light Field Radio (LFR), Multi Role Radio (MRR), police radio sets
- Industrial electronics: industrial PC, portable systems for industrial purposes, e.g. industrial laptop

**Dimension diagram**



**Specifications**

Rated voltage	12 V
Rated current	3 A max.
Contact resistance	≤ 10 mΩ
Contact force	7.5 N/Pin max.
Contact material	Copper wrought alloy, gold plated
Contact inserts	Thermoplastic
Vibration / shock resistance	4 g in x, y and z direction up to 500 Hz
Protection degree (EN 60529)	IP67 (0.2 bar/2h)
Sealing elements	Silicone elastomer / Fluor-silicone elastomer
Mechanical endurance	5.000 operating cycles
Temperature range	-55° C ... +85° C